

# EUROVIEW

FRAMELESS GLASS ENCLOSURES

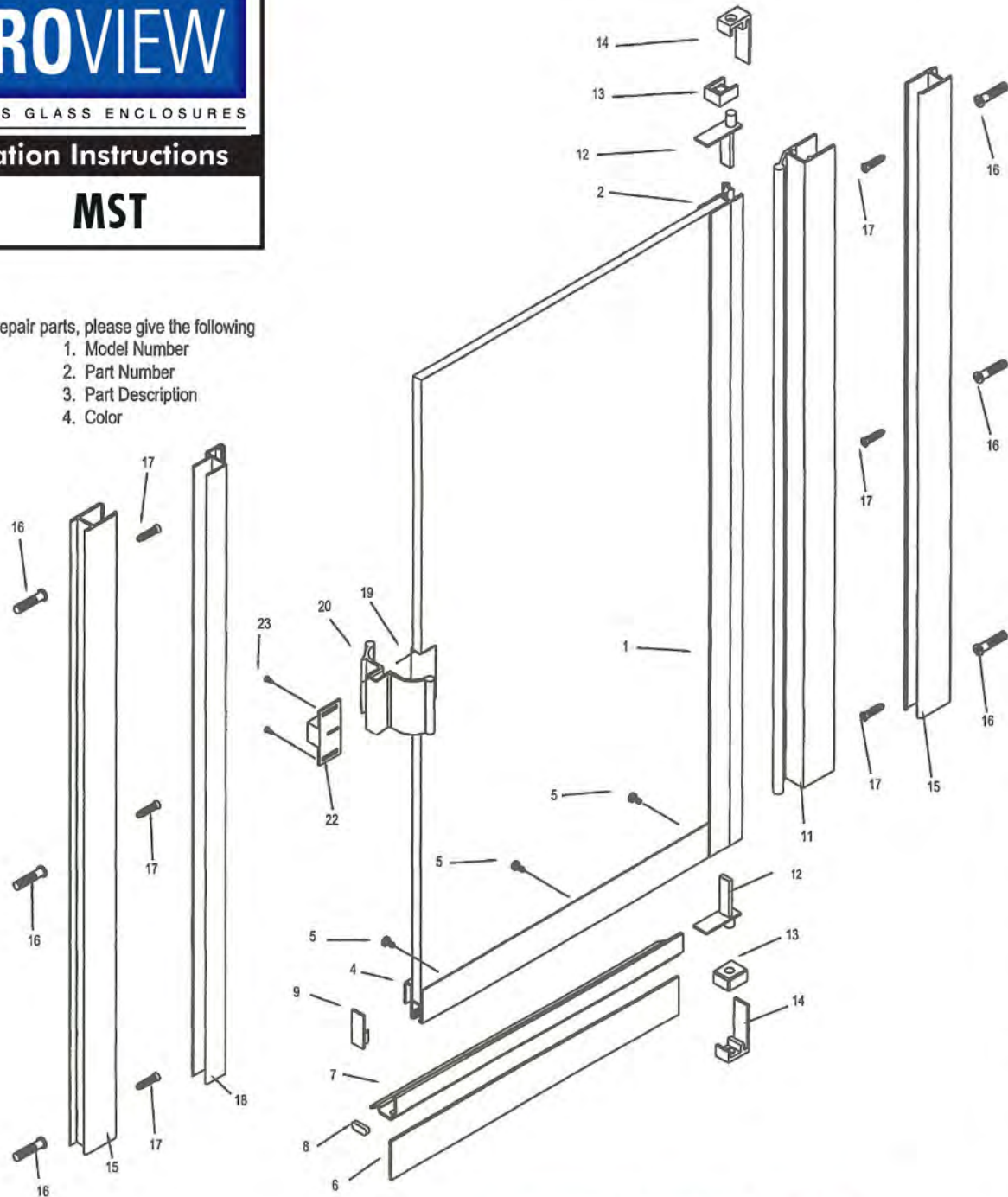
## Installation Instructions

Model

**MST**

When ordering repair parts, please give the following information:

1. Model Number
2. Part Number
3. Part Description
4. Color



## INSTALLATION INSTRUCTIONS MST

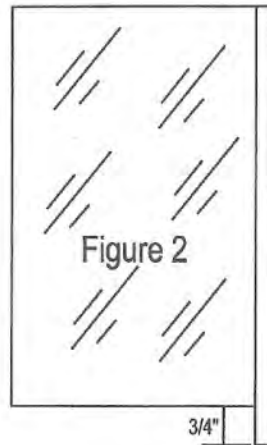
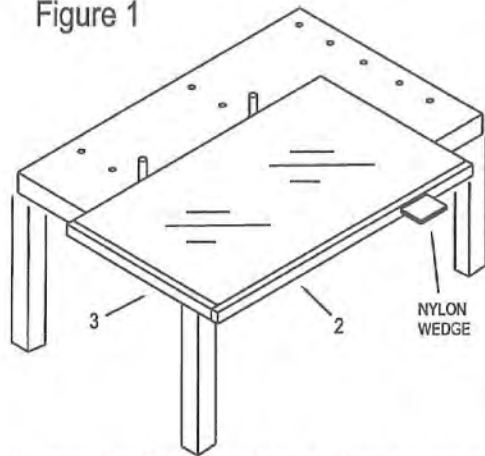
To assemble your shower enclosure, you will need the following:

- Phillips Screwdriver
- Silicone
- Hack Saw
- Glazing Block
- Hammer
- Side Cutters

Description	Qty	Part No.	Picture
1. Glazing Vinyl	1	ZV-925	
2. Hinge Rail with Vinyl	1	ZD-2503	
3. Glazing Vinyl	1	ZV-903	
4. Bottom Rail	1	ZD-2002	
5. #6 x 1/4" Screws	3	#6 x 1/4	
6. Splash Vinyl	1	ZV-904	
7. Drip Trough	1	ZD-1008	
8. Drip Plug	1	ZV-905	
9. Bottom Rail End Cap	1	ZV-940	
10. Hinge Jamb Sleeve Vinyl	1	ZV-955	
11. Hinge Jamb	1	ZD-2505	
12. Hinge Pins	2	ZV-945	
13. Hinge Bushings	2	ZD-1013	
14. Hinge Clips	2	ZD-1009	
15. Wall Channels	2	ZD-1006	
16. Wall Anchors	6	ZV-935	
17. #8 x 1 1/2" Screws	6	#8 x 1 1/2	
18. Latch Jamb w/ V-908 Vinyl	1	ZD-1004	
19. 3" Handle Vinyl	1	ZV-914	
20. 3" Door Pull			
21. #6 x 3/8" Screws	6	#6 x 3/8	
22. Box Catch			
23. 6-32 x 3/16" Screws			
24. #8 x 1 1/2" FH Screw	1	#8 x 1 1/2	
<u>Optional Mag Catch</u>			
20. 3" Mag Door Pull	1	MAG 4011-3	
22. Mag Channel	1		
23. #6 x 1/4	2	6 x 1/4	

MST Assembly Instructions

Figure 1



**Note:** Assembly of a hinge-right door is shown in Figure 1. For a hinge-left door, place bottom rail assembly at opposite end.

1. Lay glass flat, smooth side up on assembly table (Figure 1) and bracing glass on far side as shown so hinge rail can be driven into place. Apply glazing channel (1) to one long, and short edge of glass.

2. Hold the hinge rail (2) in place against vinyl channel with 3/4" extending beyond end of glass, at bottom (see Figure 2). Using a block of hardwood and a heavy steel hammer, drive hinge rail into place on glass.

**Note:** The tolerances on glass, aluminum and vinyl may cause the hinge rail to fit too tight to drive on. In this case with a small paint brush (a small foam paint brush works well here) apply a very weak solution of liquid soap and water to the inside of the hinge rail. DO NOT use other types of lubricant or allow lubrication to get in between vinyl and glass because this may cause the glass to slide down or out of the hinge rail.

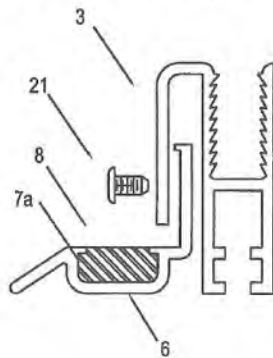
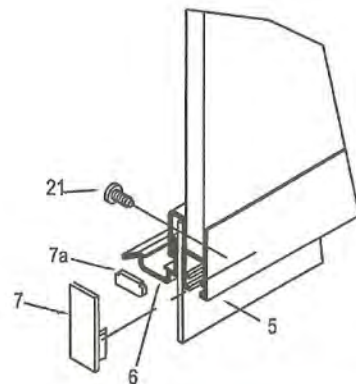


Figure 3



3. Hold bottom rail (3) in place against vinyl channel and drive into place on glass using the block of wood and hammer described above. Start three 6/32 x 3/16" screws (21) into bottom rail. Insert splash vinyl (5) and drip trough (6) into bottom rail (see Figure 3) and secure by tightening the three 6/32 x 3/16" screws (21). Keep end of drip trough 3/8" in from latch side of door. Insert drip plug (7) into end of drip channel opposite the hinge rail side.

**Note:** Drip trough should be installed so it is flush with notch in bottom rail (See Figure 3) and slopes down at the hinge rail side so water will drain back into shower when door is open.

4. Drive hinge pins, the end of pin with id. circle (8) into ends of hinge rail. Assemble hinge clips/bushings (9&11) and then insert into hinge jamb (10) See Figures 4 & 5. Drive one clip all the way in and the other half way in. Set hinge jamb with clips in place over pin and drive protruding clip into place, which secures hinge jamb to hinge rail.

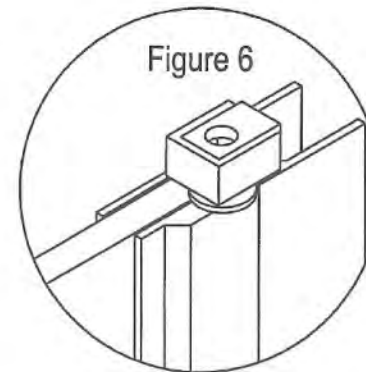
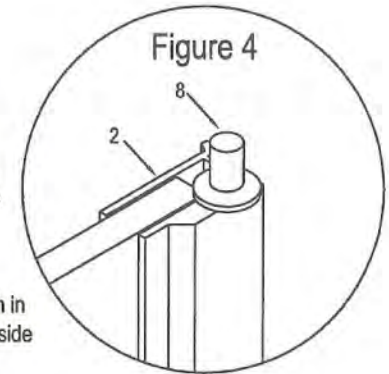


Figure 6

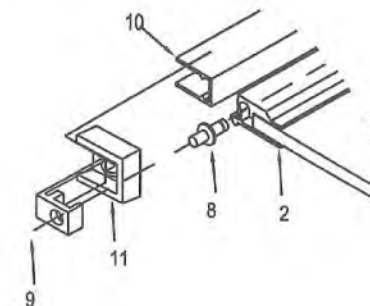
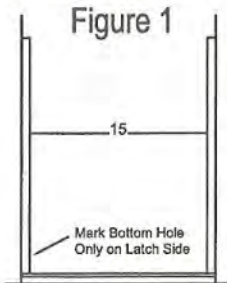


Figure 5

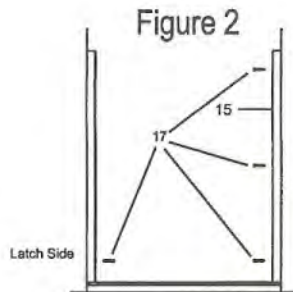
**General:** Well channels (15) are supplied 67 3/4" long. For door only installation (with no header or curb), cut with a hacksaw to 66 5/8" so they will not extend above the hinge and latch jambs.



1. Hold wall channels (15) in a plumb position and mark hole locations on the hinge side and bottom hole on the latch side (See Figure 1). Drill holes in wall (using 3/16" carbide drill for tile walls). Insert wall anchors (16) into drilled holes.

2. Set wall channels in place and secure with #8 x 1 1/2" screws (17) using bottom screw only on latch side (See Figure 2).

**Note:** Door is adjustable up to 1" (1/2" at hinge jamb and 1/2" at latch jamb).



**Example:** A CD-24 door will fit an opening 24" to 25". The 1/2" adjustment should also be used to correct out-of-plumb conditions. For openings up to 24 1/2", set hinge jamb all the way over the wall channel and adjust latch jamb to meet door. For openings over 24 1/2" adjust hinge jamb out on wall channel to compensate for additional opening width.

3. Set latch jamb (18) in place over wall channel, but **Do NOT Secure**.

4. Set hinge jamb with door attached (2 & 11) in place over wall channel. Adjust laterally, plumb to fit opening. Mark three holes on wall channel through the predrilled holes on hinge jamb. Drill three holes with a #31 drill bit and secure with #6 x 3/8" SMS screws (21).

5. Apply 3" vinyl channel (19) to edge of glass, centered on handle side. Tap handle (20) in place over vinyl channel.

6. Align latch jamb (18) with edge of door glass and mark wall channel (15) location on wall. Remove latch jamb and mark holes on wall. Lean wall channel to one side to allow enough room for drill and drill the remaining two holes on wall. Insert wall anchors (16).

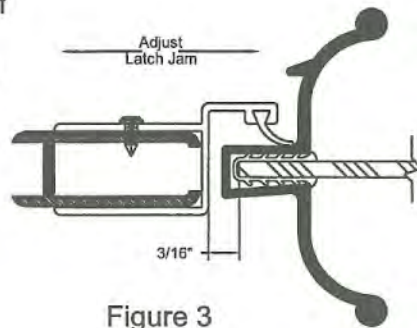


Figure 3

7. Replace wall channel and secure remaining two holes in wall channel using two #8 x 1 1/2" screws (17).

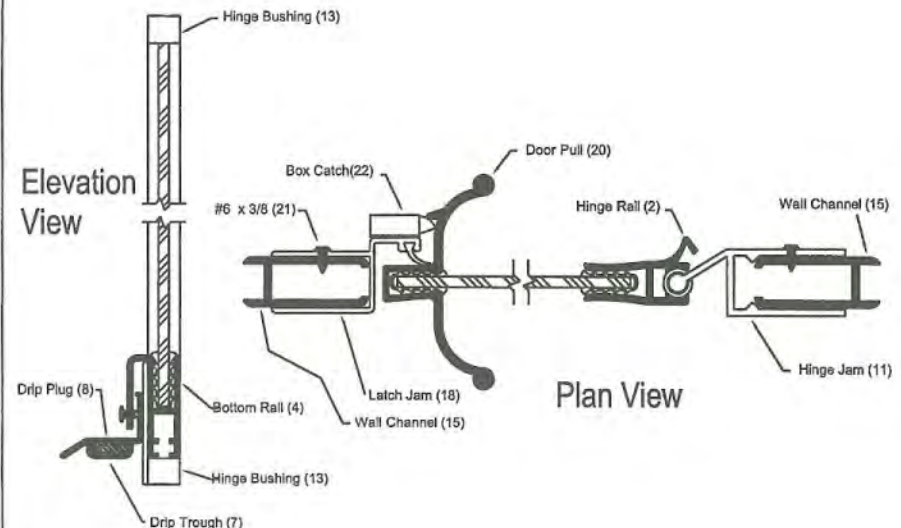
8. Replace latch jamb over wall channel. Close door and adjust latch jamb 3/6" from edge of glass (See Figure 3). Through the holes provided in the latch jamb, drill three #31 holes in wall channel. Secure latch jamb to wall channel with #6 x 3/8" SMS screws (21).

9. Set catch (22) in place on latch jamb (18) and secure with 6-32 x 3/16" screws (23).

10. Adjust drip trough (7), up at latch side of door and down at hinge side of door so water will drain into shower when door is opened. Adjust splash vinyl (6) to within 1/8" of curb.

**Note:** Splash vinyl should not touch curb.

11. Clean area to where sealant is to be applied and run a bead of sealant full length inside and outside of each wall channel, where channel meets wall. Allow sealant to cure for 24 hours.



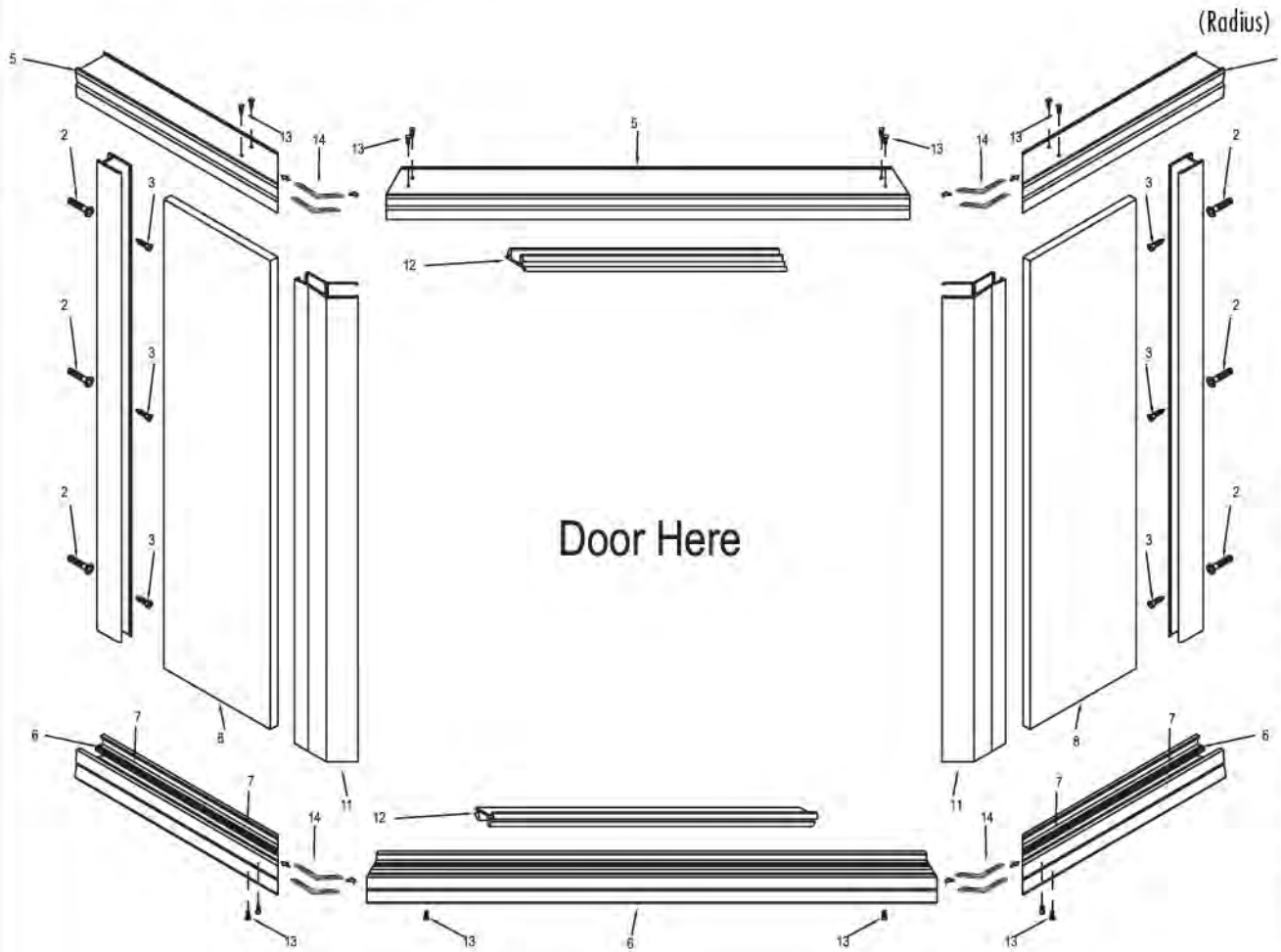
## Continuous Hinge Shower Enclosure

### Installation Instructions

Model **MST-135-36/38**

When ordering repair parts, please give the following information:

1. Model Number
2. Part Number
3. Part Description
4. Color



To install your shower enclosure, you will need the following:

- Level
- #31 Drill Bit
- Glazing Block
- Hack Saw
- 3/16" Carbide Drill Bit (for the tile walls)
- Phillips Screwdriver
- Silicone

\*Note: Numbers 1, 2 & 3 come with door stall wrap

Description	Qty	Part No.	Picture
1. Wall Channels*	2	ZD-1006	
2. Wall Anchors*	6	ZV-935	
3. #8 x 1 1/4" Screws*	6	#8 x 1 1/4"	
4. #6 x 3/8" Screws	26	#6 x 3/8"	
5. Headers-Mitered 22.5 Degrees	3	ZSS-2101	
6. Curbs-Mitered 22.5Degrees	3	ZSS-3101	
7. Glass Support Blocks	4	ZV-902	
8. 135-Degree Glass Panel	2		
9. Vertical Seal Vinyl	8	ZV-909	
10. Horizontal Seal Vinyl	8	ZV-906	
11. 135-Degree Corner Post	2	ZSS-1105	
12. Header and Curb Fillers	2	ZSS-1102	
13. 135-Degree Header/Curb Clips	8	ZC-135	

**NOTE:** Wall channels (1), wall anchors (2) and screws (3) that are used in stall shower installation are shipped with the shower door. Read both door and stall instructions before starting installation.

1. Add 3/8" to centerline measurement for center section, and 3/16" to centerline measurement for sides. Cut both header and curb center sections to size, also cut the curb side sections, leaving the header sections for later.

2. Assemble header and curb with clips provided (Figure 1).

Using holes provided in header and curb.

Secure using eight #6 X 3/8" SMS Screws (13).

Set curb in place and mark location on curb leaving curb in place temporarily.

3. Set wall channels into curb and mark holes on wall. Remove wall channels and curb and drill holes into wall using 3/16" drill bit. Place screw anchors into holes.

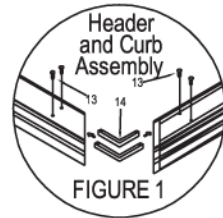
4. Run a 1/4" bead of silicone on underside of curb, over miters, and where the ends of the curb sits on the threshold.

5. Replace curb and silicone where miters are and where curb meets wall. Replace the wall channels and secure using #8 X 1 1/4" SMS.

6. Place glass support blocks in curb and set panel glass in place, tacking at top with about 6" of the vertical seal vinyl. To adjust for wall conditions, adjust the panel in or out of the post, making sure that at least 1/4" remains in each channel.

7. Place corner post in place on other edge of glass and tack in place using vertical seal vinyl. Plumb corner post to the respective wall.

8. Check the chart for the door size, and obtain the range for the curb filler. If the distance between the wall channel and the corner post falls within this range then cut curb filler to size. If the measurement does not fall into the range, then a larger or smaller door is needed. Cut curb filler to size and snap in place with higher lip to outside of unit.



9. To cut header sides to length, measure from wall to the outside point of angle on corner post, then add 1/8" to this measurement. This is the length of the outside dimension of the header from miter point to the wall

**(Refer to Shower Door Installation Instructions.)**

10. Snip excess vinyl from latch jamb, and crimp in place at top and bottom. Holding corner post, slip latch jamb into place.

11. Install 3" vinyl channel, centered on edge of glass and tap handle in place.

12. Set door (with hinge jamb attached) over corner post. Secure hinge jamb to corner post using adjustment derived at from step #8. Use a #31 drill bit and #6 X 3/8" SMS.

13. Stand inside shower and pull door closed. If, when you pull the door closed without creating pressure on the latch jamb vinyl, there is an opening at the top, you must decrease the length of the header over the fixed panel side where the door is hanging. If the gap is at the bottom then you need to shorten the length of the header over the fixed panel where the door latches.

14. Using a #31 latches and #6 X 3/8" SMS to secure header to wall channels.

15. Adjust header up or down on corner post to make parallel with top of door. Now using a #31 drill secure with #6 X 3/8" SMS to corner post.

16. Install rest of vertical seal vinyl at post and wall channels, and horizontal seal vinyl in header and curb.

17. Recheck alignment of door and corner post, if out, adjust by tapping on corner post.

18. Adjust latch jamb for a gap of 3/16" for latch to edge of door.

19. Install magnet on latch jamb.

20. Adjust splash vinyl so that approximately 1/8" daylight space remains between bottom of splash vinyl and curb filler with the door in a closed position.

21. Seal along inside and outside edge of metal and tile with silicone.

Header & Curb Fillers		
Min. Filler=Door Size-1 7/8"		
Max. Filler=Door Size-1 7/8"		
Model Number	Min.	Max.
CD-20	18 1/8"	19 1/8"
CD-21	19 1/8"	20 1/8"
CD-22	20 1/8"	21 1/8"
CD-23	21 1/8"	22 1/8"
CD-24	22 1/8"	23 1/8"
CD-25	23 1/8"	24 1/8"
CD-26	24 1/8"	25 1/8"
CD-27	25 1/8"	26 1/8"
CD-28	26 1/8"	27 1/8"
CD-29	27 1/8"	28 1/8"
CD-30	28 1/8"	29 1/8"
CD-31	29 1/8"	30 1/8"
CD-32	30 1/8"	31 1/8"
CD-33	31 1/8"	32 1/8"
CD-34	32 1/8"	33 1/8"
CD-35	33 1/8"	34 1/8"
CD-36	34 1/8"	35 1/8"

